



**WICHITA A/C SUPPLY CO**  
**1403 SCOTT**  
**WICHITA FALLS, TX 76301**  
**(940)-322-2466**

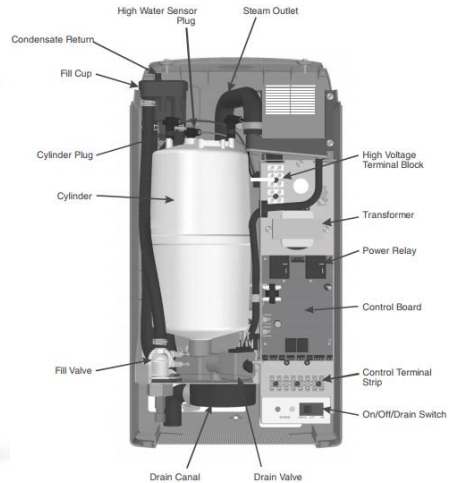
# Honeywell HM700A1000

## Electrode Steam Humidifier

### With HumidiPRO H6062 Digital Humidity Control

The HM700 is the most advanced residential steam humidifier available and provides steady and reliable humidification for a home. The humidifier is designed for connection to a steam distributor installed in a supply air duct for humidity on demand.

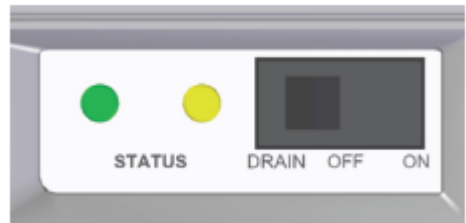
The HM700 is an atmospheric steam generator that uses heat generated by electrical current flowing between submerged electrodes to generate steam. The HM700 is designed for on-demand air humidification via a steam distributor.



### Included in the Box

- Steam Humidifier (HM700)
- Distribution Remote Mount Kit (HM700ADISTKIT)
- HumidiPRO Humidistat (H6062A1000)
- Steam Cylinder (one HM700ACYL2 included)
- Rubber drain hose
- Installation Instructions, Homeowners Guide and Quick Start Guide

### HumidiPRO Humidistat



Part Number	Volts	Steam Output GPD	KW	Amps	Phase	Max Ext Fuse	Standard Cylinder	Net/Full Weight lbs. (kg)	Dimensions in inches (L x W x H)
HM700A1000	110/120	11	1.4	12.0	1	15 A	CYL2	15 / 20 (7.0 / 9.5)	11.5 x 6.75 x 21.5
	220/240	22	2.8						